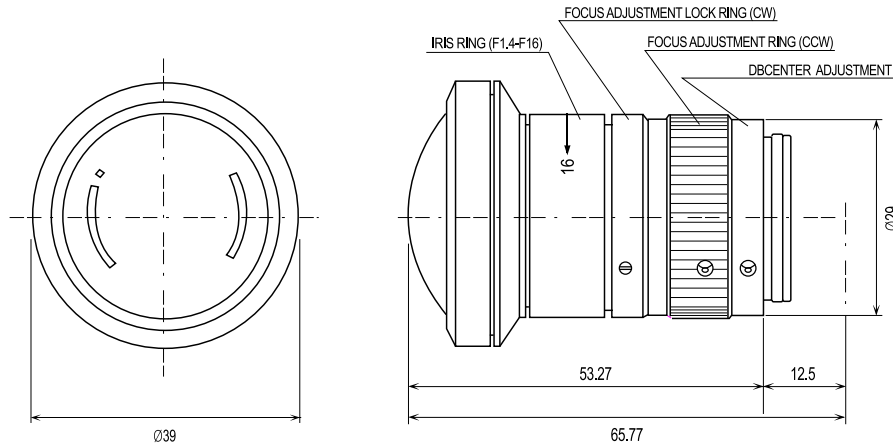


VIDEO CAMERA LENS

PRECISION

HX1.4FE14FB

FISH-EYE 185° LENS
FOR MEGA-PIXEL VIDEO CAMERA



(Unit : mm)

Image Format	1/2-inch
Focal Length	1.4mm
Relative Aperture	F1.4
Iris Range	F1.4-Close
Angular Field of View	Fish-eye, 185 degrees, f-theta optical design
Resolution	Suitable for upto 3 Mega-pixels Camera
Minimum Object Distance(MOD)	0.1m
Image circle	4.6mm
Flange Back	12.5mm
Operation	Iris : Maunal with locking screw Focus : Maunal with locking ring
Lens Mount	CS-Mount Type
Filter Screw	No provision.
Dimensions	$\varnothing 39.0\text{mm} \times 53.3\text{mm}$
Weight	100g approx.
Operating Temperature	-5 ~ +50°C