

VIDEO CAMERA ADAPTERS FOR SURGICAL MICROSCOPES AND SLIT LAMPS

Precision video camera adapters are proudly introduced for use with surgical microscopes of world leading manufacturers. It's state of the art designing technology has successfully achieved compact size in the rugged housing.

Unique performance includes manually adjustable focus ring equipped with locking thumb screw, microscope image centering mechanism to allow microscope sight to set in vertical and horizontal axes.

Provisions are made for use with various types of surgical microscopes and slit lamps without any additional intricate fixtures.

Adapters for Surgical Microscopes

Zeiss types

VA71M-ZS55	f=55mm
VA71M-ZS70	f=70mm
VA71M-ZS80	f=80mm

Leica types

VA71M-LC55	f=55mm
VA71M-LC70	f=70mm
VA71M-LC80	f=80mm

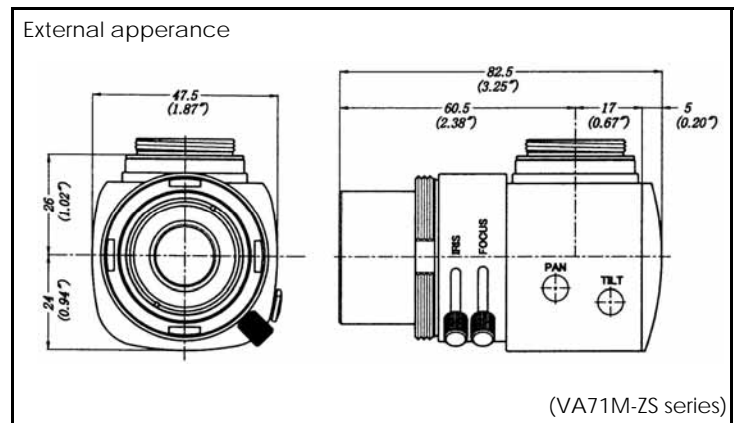
Moeller types

VA71M-ML55	f=55mm
VA71M-ML70	f=70mm
VA71M-ML80	f=80mm

Adapters for Slit Lamps

Haag-Streit type

VA71S-HG55	f=55mm
VA71S-HG70	f=70mm
VA71S-HG80	f=80mm

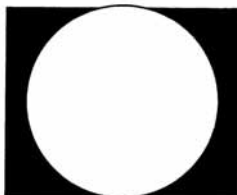


Specifications

Model	VA71M-ZS55
Microscope	Zeiss
Focal length	55mm
Aperture (F-stop)	F3.9
Image format	1/2" for 3CCD camera
Camera mount	C-Mount
Dimensions (WxHxL)	47.5 x 50 x 90.5mm (1.87 x 1.96 x 3.56" approx.)
Weight	275g (0.61 lbs approx.)

Typical microscope view on the monitor (on 1/2" camera)

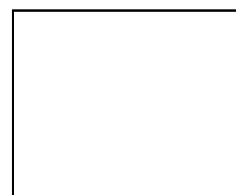
55mm type



70mm type



80mm type



(full view on monitor)

* For use with other type of microscope or slit lamp, please contact us for availability.

TUSS VISION, INC.

2-15-13 Miyamachi, Fuchu
Tokyo 183-0023, Japan

Tel: +81-42-335-7724, Fax: +81-42-335-7734, URL: www.tusvision.com