



Super Sensitivity Color DSP CCD Camera

CT-500 series

CT-500 series is the 1/3" color CCD camera designed for general CCTV security and industrial as well as microscopi applications, utilizing the latest State-of-the-Art manufacturing technologies.

With the super low light sensitivity CCD sensor (Exview CCD by SONY), 0.3lux minimum scene illumination could be achieved for color picture.

CT-500L series with regular length suitable for CCTV security application and CT-500S series with reduced length.

Features:

1/3" Exview CCD sensor
High resolution 480TV lines
Y/C output
Backlight compensation
AGC high/low selectable

0.3lux scene illumination
Easy access to mode setting
S/N 50dB or more
RS232C Controllable (option)
Digital Signal Processing (DSP)



CT-501L/505L

CT-501S/505S

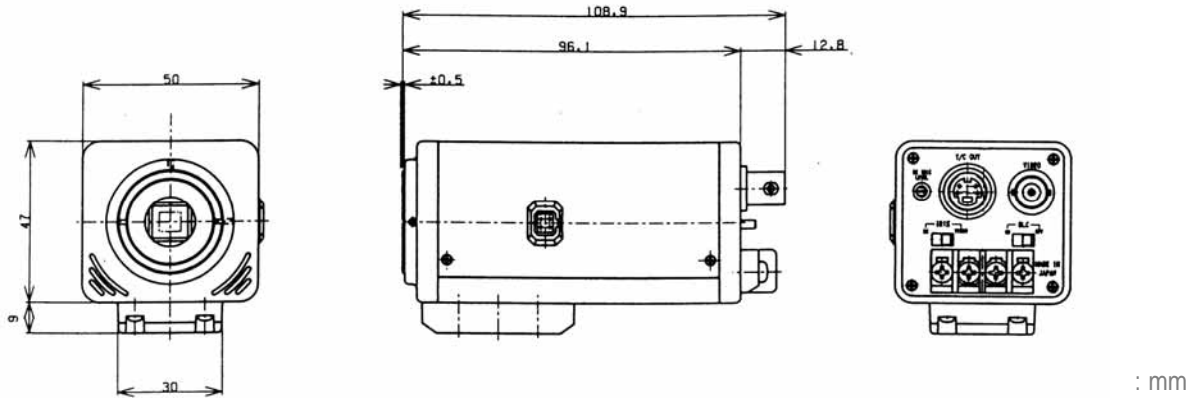


Rear panel

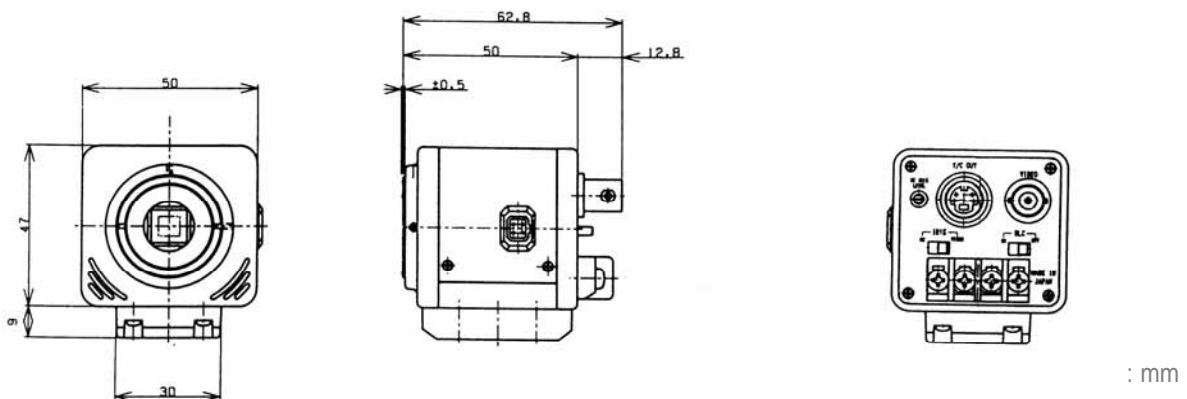
Tuss Vision, Inc.

External appearance

CT-500L series



CT-500S series



Specifications

	CT-501L/501S	CT-505L/505S
CCD	1/3" CCD, SONY EXview type, High resolution	
Number of effective elements	768 x 494 (NTSC)	752 x 582 (PAL)
Sync. System	Internal	
Scanning system	2:1 interlace	
Video output	VBS 1.0Vp-p, 75ohms and Y/C outputs	
Horizontal resolution	480TV lines	
S/N ratio	Greater than 50dB (AGC Off)	
Electric shutter	1/60 (1/50 for PAL) - 1/10,000 sec.	
Gamma	0.45 or 1.0 switchable	
AGC	Off / On(High-Low) selectable	
Min. scene illumination	0.3 lux F1.2 with AGC ON (High gain mode)	
Lens mount	CS-Mount	
Auto iris lens	Selectable, Video-drive type or DC-drive type	
Power requirement	12VDC \pm 10%, 180mA max.	
Storage temperature	-30 to +70	
Operating temperature	-10 to +40	
Weight	CT-501L: 130g CT-501S: 105g	CT-505L: 130g CT-505S: 105g
Dimensions (WxHxL)	CT-501L: 50 x 47 x 96mm CT-501S: 50 x 47 x 50mm	CT-505L: 50 x 47 x 96mm CT-505S: 50 x 47 x 50mm