



High resolution, 1/3"
Color DSP CCD Camera

CT-560G series

CT-560G series is the compact size 1/3" color CCD camera designed for general CCTV security and industrial as well as microscopic applications, utilizing the latest State-of-the-Art manufacturing technologies. With the high resolution and high sensitivity CCD sensor, crisp picture could be produced at minimum 1.5lux scene illumination.

CT-560GB basic model, CT-560GY with YC output and CT-560GM with industrial 12P connector
All provisions accessible on the rear panel as shown on the photographs.

Features (common):

- | | |
|---|---------------------------------|
| 1/3" CCD sensor | 1.5lux scene illumination |
| High resolution 470TV lines | Easy mode setting by DIP switch |
| Y/C output provided on "Y" and "M" models | S/N 48dB or more |
| Backlight compensation | Digital Signal Processing (DSP) |
| AGC on/off (30dB) | |

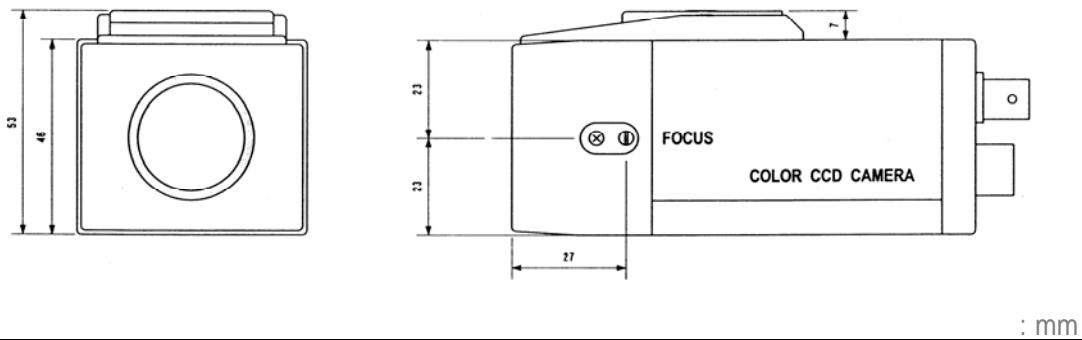


CT-561GB / 565GB

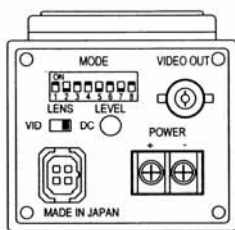
TUSS Vision, Inc.

External appearance

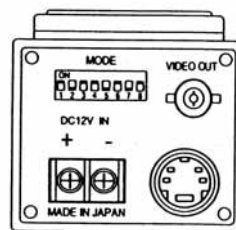
CT-560G series



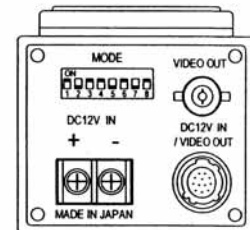
Rear panels



CT-561GB / CT-565GB



CT-561GY / CT-565GY



CT-561GM / 565GM

Specifications

	CT-561GB / 565GB	CT-561GY / 565GY	CT-561GM / 565GM
CCD	1/3" CCD, SONY Hyper HAD, High resolution		
Number of effective elements	CT-561GB : 768x494 CT-565GB : 752x582	CT-561GY : 768x494 CT-565GY : 752x582	CT-561GM : 768x494 CT-565GM : 752x582
Sync. System	Internal		
Scanning system	2:1 interlace		
Video output	VBS 1.0Vp-p, 75ohms and Y/C outputs		
YC output	Not provided.	Provided thru Mini.DIN	Provided thru 12P
Horizontal resolution	470TV lines		
S/N ratio	Greater than 48dB (AGC Off)		
Electric shutter	1/60 NTSC (1/50 for PAL) - 1/10,000 sec.		
Gamma	0.45		
AGC	Off / On(30dB) selectable		
Min. scene illumination	1.5 lux F1.2 with AGC ON		
Lens mount	CS-Mount or C-mount using the supplied adapter		
Auto iris lens connector	Provided on rear panel.	Not provided.	Not provided.
Power connector	Screw terminal	RCA type(Pin jack)	12P (Hirose type)
Power requirement	+12VDC regulated		
Storage temperature	-30 to +70		
Operating temperature	0 to +45		
Weight	300g approx.		
Dimensions (WxHxL)	55 x 53 x 110mm		

TUSS Vision, Inc.

Product made in Japan