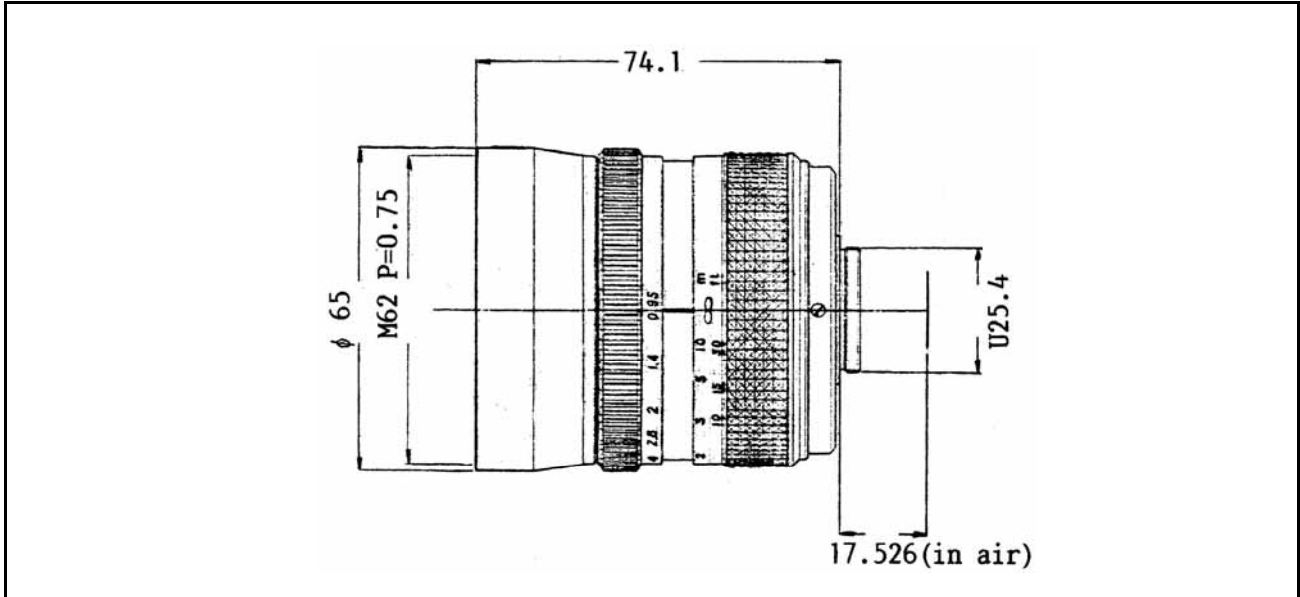


# CCTV LENS

## LX5009

### SPECIAL LENS



(Unit: mm)

Image Format	1-inch								
Focal Length	50.0mm								
Max. Aperture	F=0.95								
Operation	Iris: Manual Focus: Manual								
Iris Range	F0.95 - 16								
View Angle (Degrees)	<table border="1"><thead><tr><th></th><th>Wide</th></tr></thead><tbody><tr><td>Horizontal</td><td>14° 6</td></tr><tr><td>Vertical:</td><td>11° 0</td></tr><tr><td>Diagonal:</td><td>18° 2</td></tr></tbody></table>		Wide	Horizontal	14° 6	Vertical:	11° 0	Diagonal:	18° 2
	Wide								
Horizontal	14° 6								
Vertical:	11° 0								
Diagonal:	18° 2								
Lens Mount	C-Mount								
MOD(Minimum Object Distance)	0.6m								
Back Focal Length	25.62mm								
Filter Screw Size	M62.0, P=0.75								
Dimensions	65 x 74.1mm								
Weight	470g								