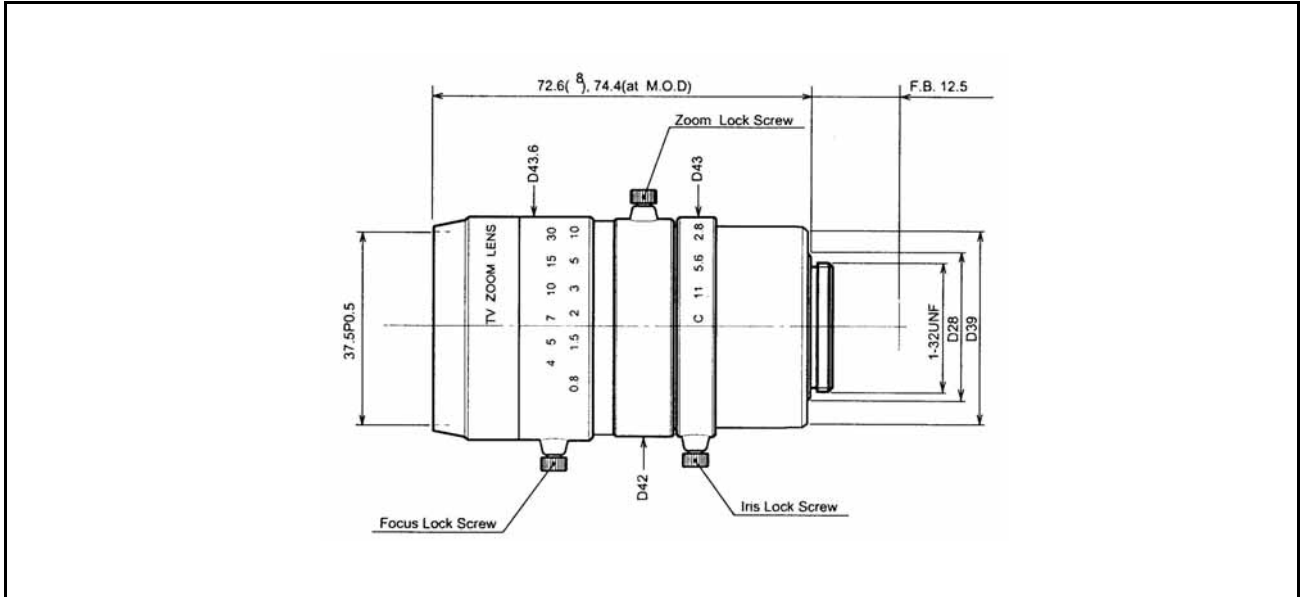


# CCTV LENS

## TR6Z639

### Manual Zoom Lens



(Unit: mm)

<b>Image Format</b>	<b>1/3-inch</b>								
<b>Focal Length</b>	<b>6.5 - 39mm</b>								
<b>Max. Aperture</b>	<b>F1.4 - close</b>								
<b>Operation</b>	<table border="0"> <tr> <td><b>Iris:</b></td> <td><b>Manual</b></td> </tr> <tr> <td><b>Focus:</b></td> <td><b>Manual</b></td> </tr> <tr> <td><b>Zoom:</b></td> <td><b>Manual</b></td> </tr> </table>	<b>Iris:</b>	<b>Manual</b>	<b>Focus:</b>	<b>Manual</b>	<b>Zoom:</b>	<b>Manual</b>		
<b>Iris:</b>	<b>Manual</b>								
<b>Focus:</b>	<b>Manual</b>								
<b>Zoom:</b>	<b>Manual</b>								
<b>View Angle (Degrees)</b>	<table border="1"> <thead> <tr> <th></th> <th>Wide</th> </tr> </thead> <tbody> <tr> <td>Horizontal:</td> <td>40° 5</td> </tr> <tr> <td>Vertical:</td> <td>31° 0</td> </tr> <tr> <td>Diagonal:</td> <td></td> </tr> </tbody> </table>		Wide	Horizontal:	40° 5	Vertical:	31° 0	Diagonal:	
	Wide								
Horizontal:	40° 5								
Vertical:	31° 0								
Diagonal:									
<b>Lens Mount</b>	<b>CS-Mount</b>								
<b>MOD(Minimum Object Distance)</b>	<b>0.8m</b>								
<b>Back Focal Length</b>	<b>11.85mm</b>								
<b>Filter Screw Size</b>	<b>M37.5, P=0.5</b>								
<b>Dimensions</b>	<b>43.6 x 72.6mm</b>								
<b>Weight</b>	<b>120g</b>								