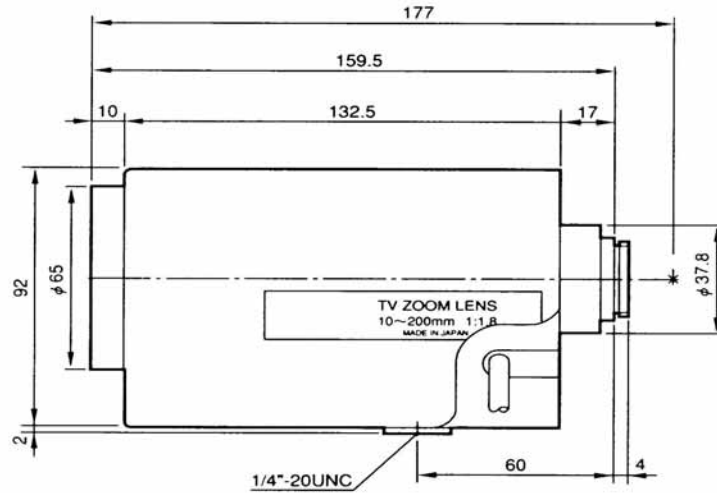


CCTV LENS

H20Z10200M

MOTORIZED ZOOM LENS



(Unit: mm)

Image Format	1/2-inch													
Focal Length	10 - 200mm													
Max. Aperture	F1.8 - close													
Operation	Iris:	Motorized												
	Zoom:	Motorized												
	Focus:	Motorized												
View Angle (Degrees)														
		<table border="1" style="border-collapse: collapse; width: 100%;"> <thead> <tr> <th></th> <th style="text-align: center;">Tele</th> <th style="text-align: center;">Wide</th> </tr> </thead> <tbody> <tr> <td>Horizontal:</td> <td style="text-align: center;">1°9</td> <td style="text-align: center;">35°7</td> </tr> <tr> <td>Vertical:</td> <td style="text-align: center;">1°4</td> <td style="text-align: center;">26°8</td> </tr> <tr> <td>Diagonal:</td> <td style="text-align: center;">2°3</td> <td style="text-align: center;">44°4</td> </tr> </tbody> </table>		Tele	Wide	Horizontal:	1°9	35°7	Vertical:	1°4	26°8	Diagonal:	2°3	44°4
	Tele	Wide												
Horizontal:	1°9	35°7												
Vertical:	1°4	26°8												
Diagonal:	2°3	44°4												
Lens Mount	C-Mount													
MOD(Minimum Object Distance)	1.5m													
Back Focal Length	14.39mm													
Filter Screw Size	M62 P=0.75													
Dimensions	78 x 92 x 159.5mm													
Weight	860g													