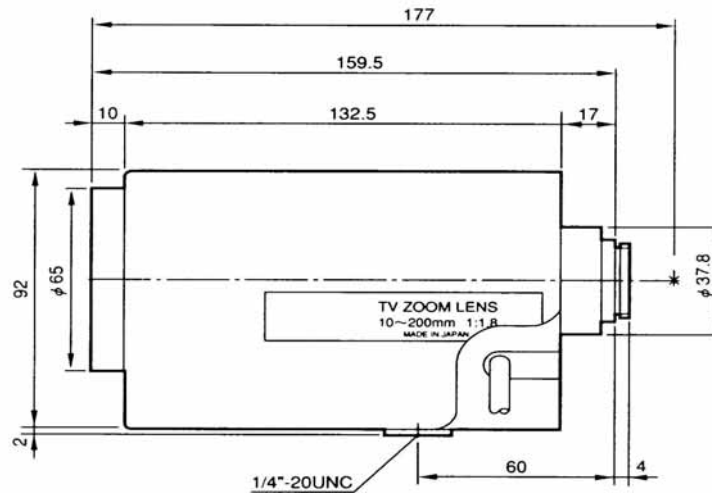


# CCTV LENS

## H20Z10200MA

### MOTORIZED ZOOM LENS AUTO IRIS



(Unit: mm)

<b>Image Format</b>	<b>1/2-inch</b>													
<b>Focal Length</b>	<b>10 - 200mm</b>													
<b>Max. Aperture</b>	<b>F1.8 - 360</b>													
<b>Operation</b>	<b>Iris:</b>	<b>Auto iris, Video-drive</b>												
	<b>Zoom:</b>	<b>Motorized</b>												
	<b>Focus:</b>	<b>Motorized</b>												
<b>View Angle (Degrees)</b>														
		<table border="1" style="border-collapse: collapse; width: 100%;"> <thead> <tr> <th></th> <th style="text-align: center;">Tele</th> <th style="text-align: center;">Wide</th> </tr> </thead> <tbody> <tr> <td>Horizontal:</td> <td style="text-align: center;">1°9</td> <td style="text-align: center;">35°7</td> </tr> <tr> <td>Vertical:</td> <td style="text-align: center;">1°4</td> <td style="text-align: center;">26°8</td> </tr> <tr> <td>Diagonal:</td> <td style="text-align: center;">2°3</td> <td style="text-align: center;">44°4</td> </tr> </tbody> </table>		Tele	Wide	Horizontal:	1°9	35°7	Vertical:	1°4	26°8	Diagonal:	2°3	44°4
	Tele	Wide												
Horizontal:	1°9	35°7												
Vertical:	1°4	26°8												
Diagonal:	2°3	44°4												
<b>Lens Mount</b>	<b>C-Mount</b>													
<b>MOD(Minimum Object Distance)</b>	<b>1.5m</b>													
<b>Back Focal Length</b>	<b>14.39mm</b>													
<b>Filter Screw Size</b>	<b>M62 P=0.75</b>													
<b>Dimensions</b>	<b>78 x 92 x 159.5mm</b>													
<b>Weight</b>	<b>880g</b>													
<b>Note</b>	<b>Auto iris driven by durable core-less motor</b>													