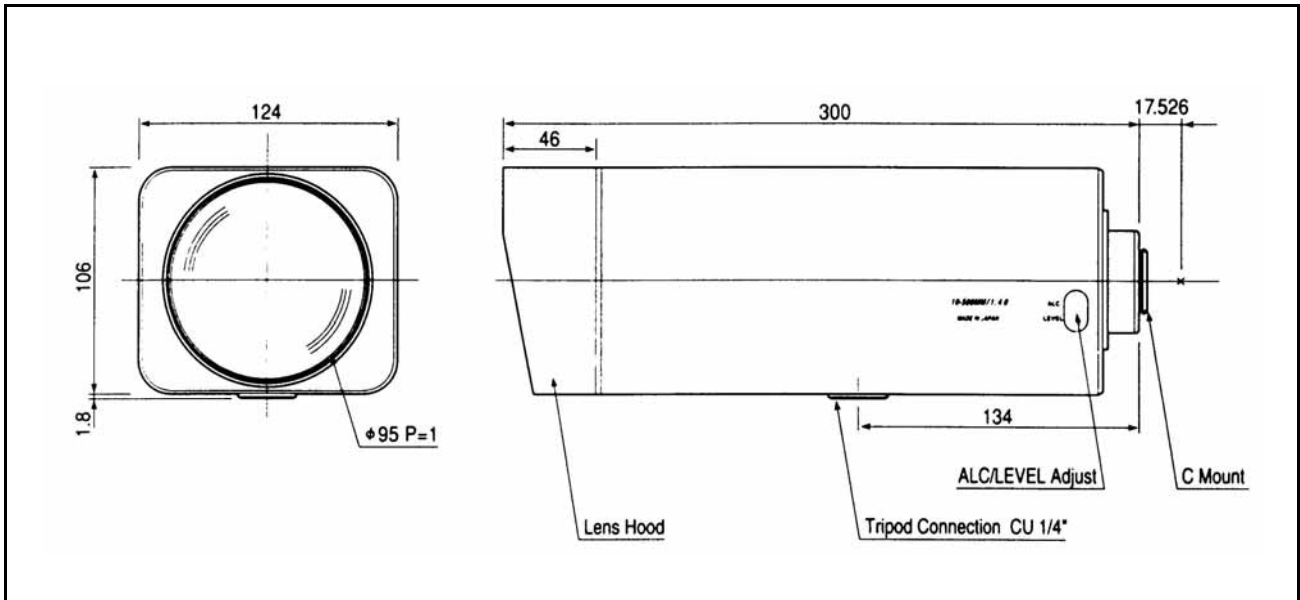


CCTV LENS

HR50Z10500MA

MOTORIZED ZOOM LENS
AUTO IRIS



(Unit: mm)

Image Format	1/2-inch													
Focal Length	10 - 500mm													
Max. Aperture	F4 - 360													
Operation	Iris:	Auto iris, Video-drive												
	Zoom:	Motorized												
	Focus:	Motorized												
View Angle (Degrees)														
		<table border="1" style="margin-left: auto; margin-right: auto;"> <thead> <tr> <th></th> <th style="text-align: center;">Tele</th> <th style="text-align: center;">Wide</th> </tr> </thead> <tbody> <tr> <td>Horizontal:</td> <td style="text-align: center;">0°7</td> <td style="text-align: center;">35°5</td> </tr> <tr> <td>Vertical:</td> <td style="text-align: center;">0°6</td> <td style="text-align: center;">27°0</td> </tr> <tr> <td>Diagonal:</td> <td></td> <td></td> </tr> </tbody> </table>		Tele	Wide	Horizontal:	0°7	35°5	Vertical:	0°6	27°0	Diagonal:		
	Tele	Wide												
Horizontal:	0°7	35°5												
Vertical:	0°6	27°0												
Diagonal:														
Lens Mount	C-Mount													
MOD(Minimum Object Distance)	4.0m													
Back Focal Length	62.67mm													
Filter Screw Size	M95 P=1.0													
Dimensions	124 x 106 x 300mm													
Weight	3,000g													