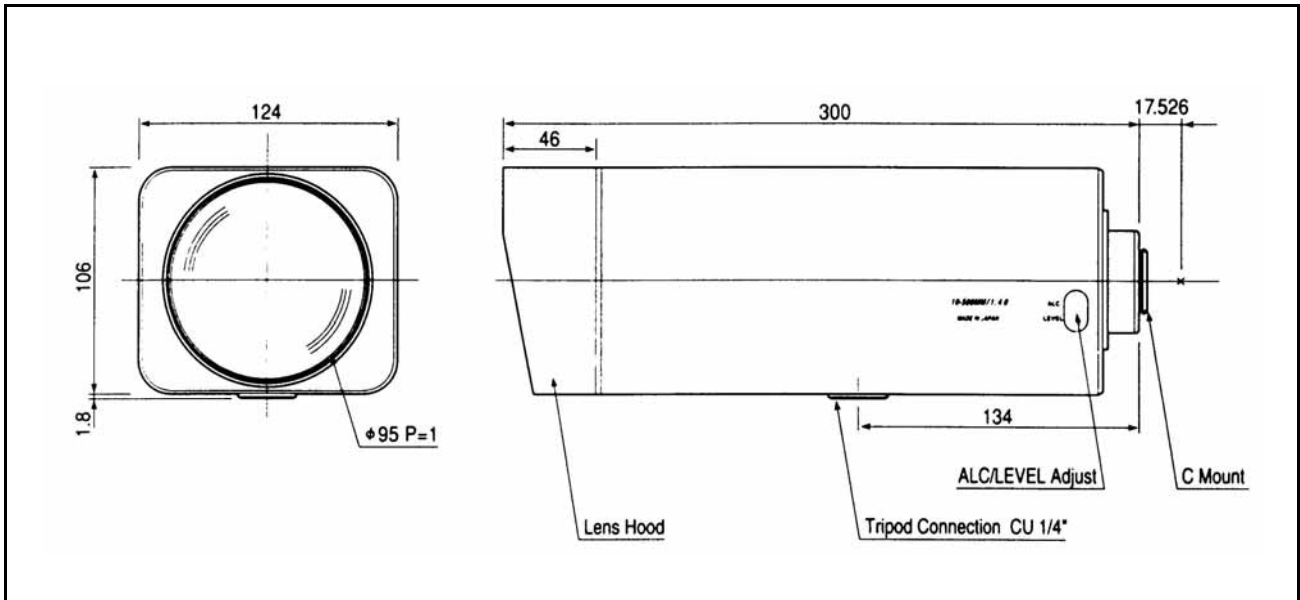


# CCTV LENS

## HR50Z10500MAEX

### MOTORIZED ZOOM LENS AUTO IRIS



(Unit: mm)

<b>Image Format</b>	<b>1/2-inch</b>												
<b>Focal Length</b>	<b>10 - 500mm (20 - 1000mm with extender)</b>												
<b>Max. Aperture</b>	<b>F4 - 360 ( F8 - 720 with extender)</b>												
<b>Operation</b>	<b>Iris: Auto iris, Video-drive Zoom: Motorized Focus: Motorized Extender: Remote control</b>												
<b>View Angle (Degrees)</b>	<table border="1"> <thead> <tr> <th></th> <th>Tele</th> <th>Wide</th> </tr> </thead> <tbody> <tr> <td>Horizontal:</td> <td>0°7 (0°4)</td> <td>35°5 (18°2)</td> </tr> <tr> <td>Vertical:</td> <td>0°6 (0°3)</td> <td>27°0 (13°7)</td> </tr> <tr> <td>Diagonal:</td> <td colspan="2">with extender in ( )</td> </tr> </tbody> </table>		Tele	Wide	Horizontal:	0°7 (0°4)	35°5 (18°2)	Vertical:	0°6 (0°3)	27°0 (13°7)	Diagonal:	with extender in ( )	
	Tele	Wide											
Horizontal:	0°7 (0°4)	35°5 (18°2)											
Vertical:	0°6 (0°3)	27°0 (13°7)											
Diagonal:	with extender in ( )												
<b>Lens Mount</b>	<b>C-Mount</b>												
<b>MOD(Minimum Object Distance)</b>	<b>4.0m</b>												
<b>Back Focal Length</b>	<b>62.67mm</b>												
<b>Filter Screw Size</b>	<b>M95 P=1.0</b>												
<b>Dimensions</b>	<b>124 x 106 x 300mm</b>												
<b>Weight</b>	<b>3,200g</b>												