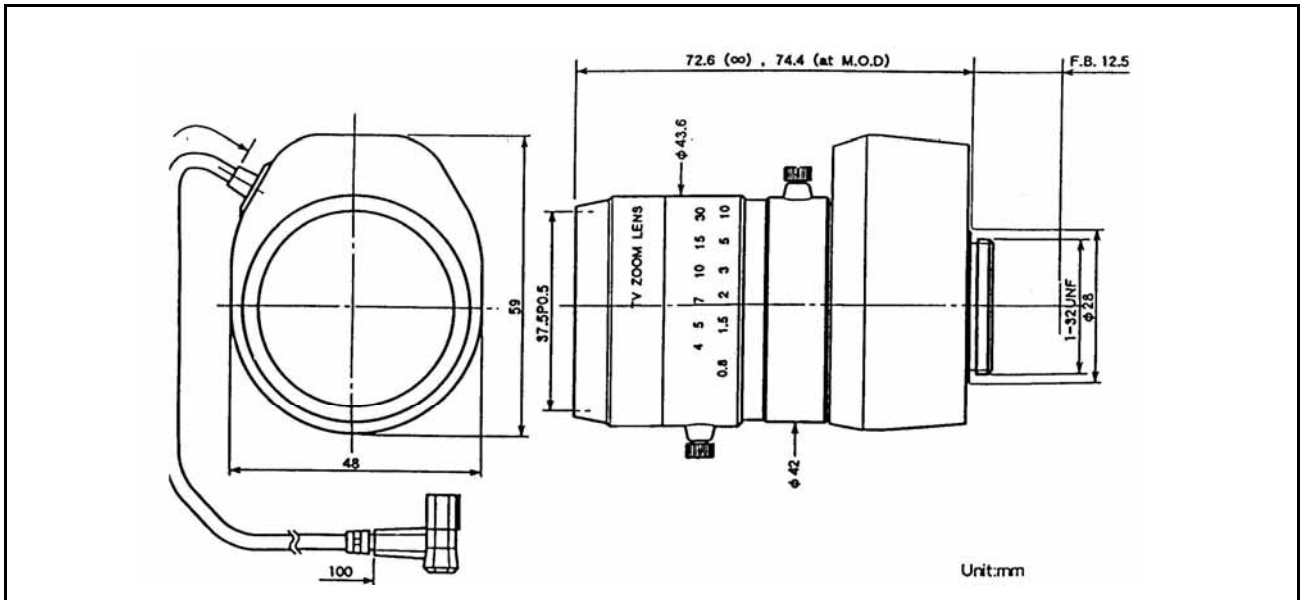


# CCTV LENS

## HR6Z639AN

VARI-FOCAL LENS  
AUTO IRIS



(Unit: mm)

Image Format	1/3-inch
Focal Length	6.5 - 39mm
Max. Aperture	F1.4 - 360
Operation	Iris: DC-drive
View Angle (Degrees)	Horizontal 40° Vertical: 31°
Lens Mount	CS-Mount
MOD(Minimum Object Distance)	0.8m
Back Focal Length	11.85mm
Filter Screw Size	M37.5 P=0.5mm
Dimensions	43.6 x 72.6mm (Dia. X Length)
Weight	130g

Lens Made in Japan