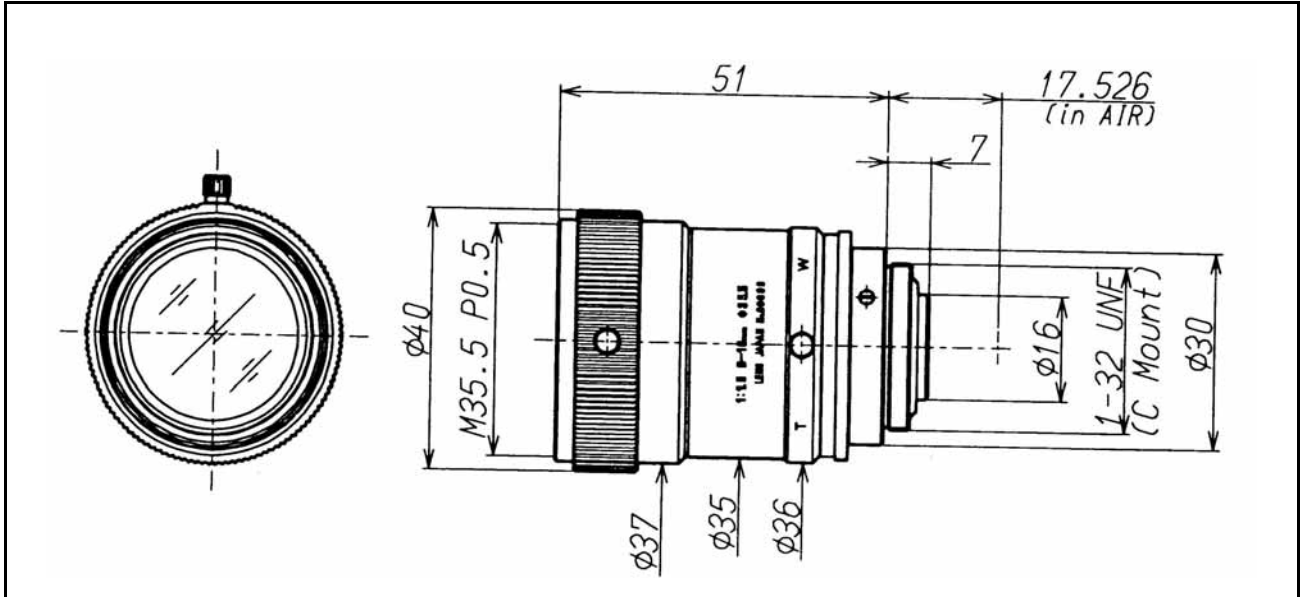


CCTV LENS

S2Z816T

VARI-FOCAL LENS
MANUAL IRIS



(Unit: mm)

Image Format	2/3-inch
Focal Length	8 - 16mm
Max. Aperture	F1.6 - close
Operation	Iris: Manual
View Angle (Degrees)	Horizontal 59°8 Vertical: 45°8
Lens Mount	C-Mount
MOD(Minimum Object Distance)	0.93m
Back Focal Length	10.89mm
Filter Screw Size	M35.5 P=0.5mm
Dimensions	40 x 51mm (Dia. X Length)
Weight	96g

Lens Made in Japan