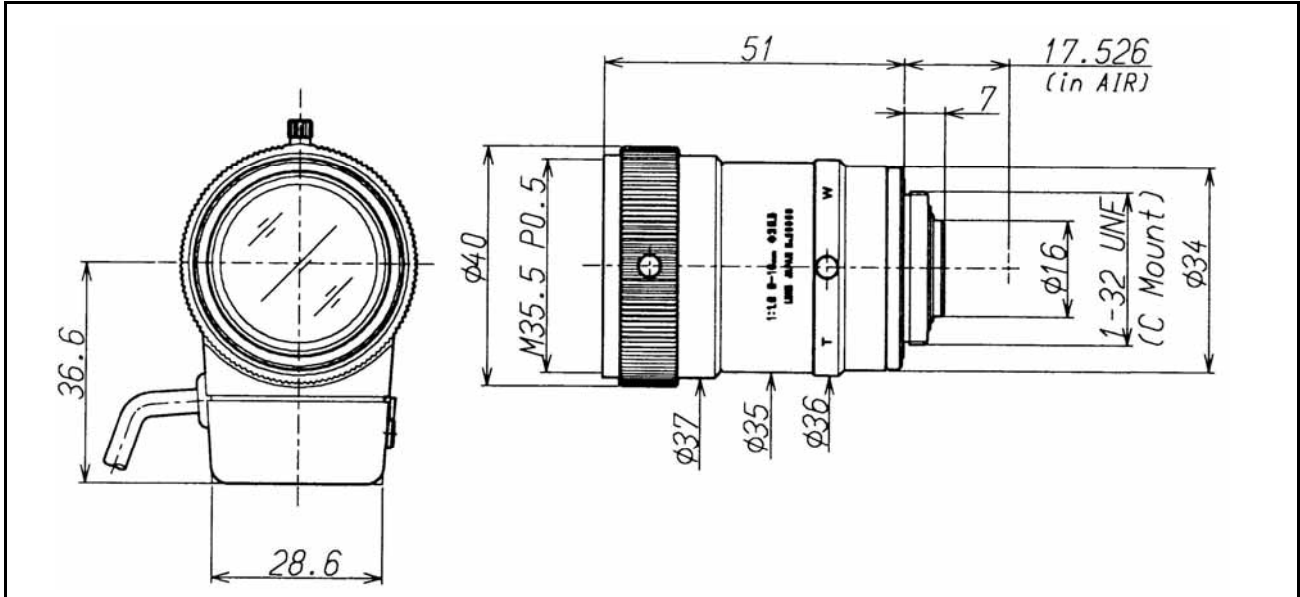


CCTV LENS

S2Z816TA

VARI-FOCAL LENS
AUTO IRIS



(Unit: mm)

Image Format	2/3-inch
Focal Length	8 - 16mm
Max. Aperture	F1.6 - 360
Operation	Iris: Video-drive
View Angle (Degrees)	Horizontal 59°8 Vertical: 45°8
Lens Mount	C-Mount
MOD(Minimum Object Distance)	0.93m
Back Focal Length	10.89mm
Filter Screw Size	M35.5 P=0.5mm
Dimensions	40 x 51mm (Dia. X Length)
Weight	130g

Lens Made in Japan