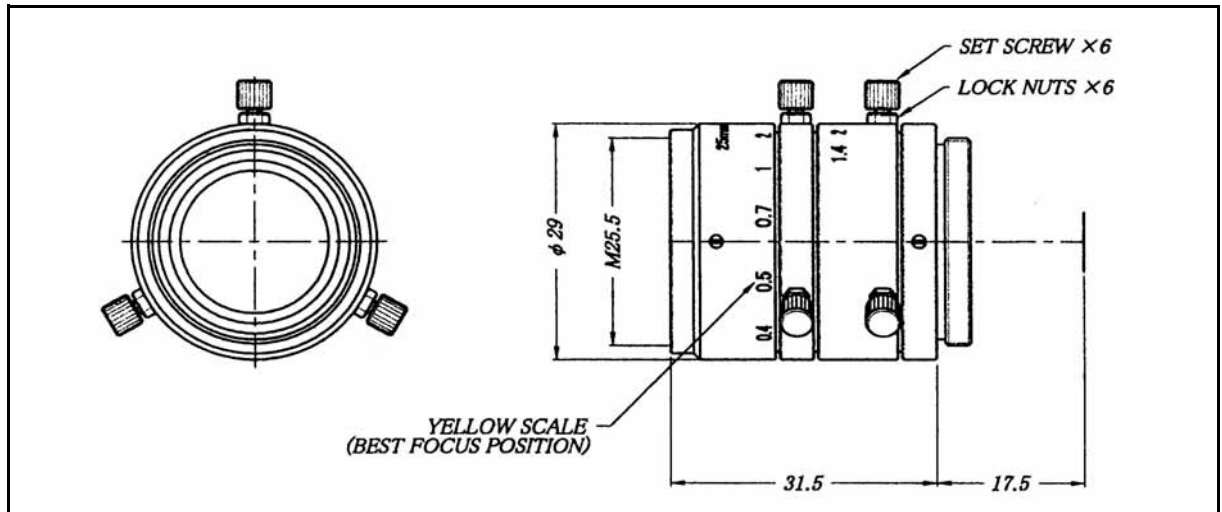


# PRECISION MACHINE VISION LENS

KV2514TS



<b>Image Format:</b>	2/3-inch
<b>Focal Length:</b>	25mm
<b>Relative Aperture:</b>	F = 1: 1.4
<b>Iris Range:</b>	1.4 - 16
<b>Angular Field of View:</b>	<b>Horizontal:</b> 20.1° <b>Vertical:</b> 15.1° <b>Diagonal:</b> 24.95°
<b>Minimum Object Distance(MOD):</b>	0.25m
<b>View Area at Minimum Distance:</b>	72.1 (H) x 54.1 (V)mm
<b>Back Focus:</b>	13.13mm
<b>Flange Back:</b>	17.5mm
<b>Operation:</b>	<b>Focus:</b> Manual with lock <b>Iris:</b> Manual with lock
<b>Lens Mount:</b>	<b>C-Mount Type</b>
<b>Filter Screw:</b>	25.5mm, P = 0.5
<b>Dimensions:</b>	φ29 x 31.5mm
<b>Weight:</b>	45g
<b>TV Distortion:</b>	<b>On 2/3" CCD:</b> -0.30%