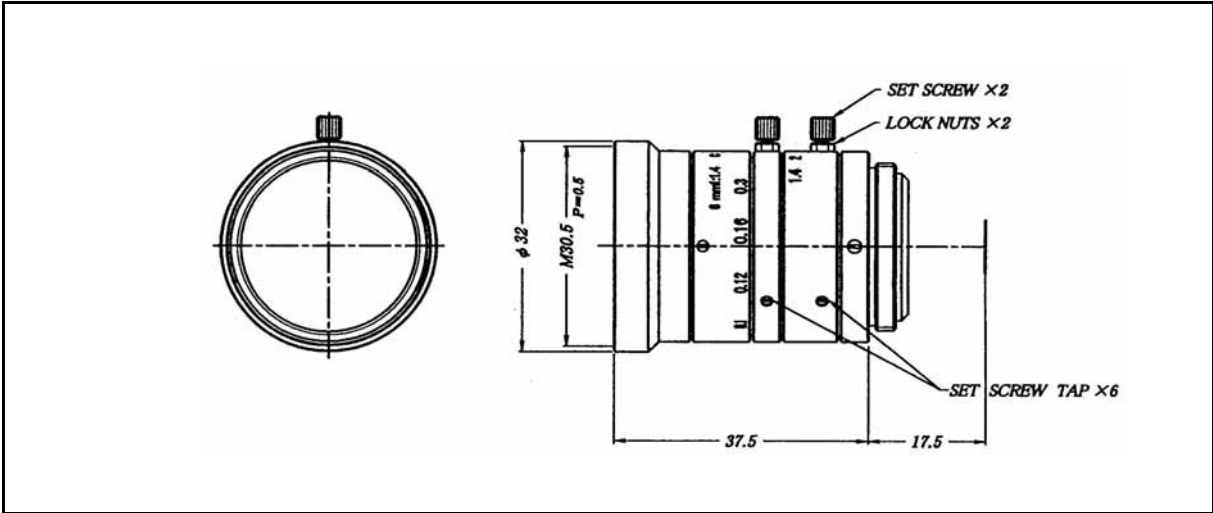


# PRECISION MACHINE VISION LENS

KV614SS



|                                       |                                |
|---------------------------------------|--------------------------------|
| <b>Image Format:</b>                  | 1/2-inch                       |
| <b>Focal Length:</b>                  | 6mm                            |
| <b>Relative Aperture:</b>             | F = 1 : 1.4                    |
| <b>Iris Range:</b>                    | 1.4 - 16                       |
| <b>Angular Field of View:</b>         | <b>Horizontal:</b> 57.40°      |
|                                       | <b>Vertical:</b> 44.30°        |
|                                       | <b>Diagonal:</b> 69.00°        |
| <b>Minimum Object Distance(MOD):</b>  | 0.2m                           |
| <b>View Area at Minimum Distance:</b> | 176 (H) x 130 (V)mm            |
| <b>Back Focus:</b>                    | 12.32mm                        |
| <b>Flange Back:</b>                   | 17.5mm                         |
| <b>Operation:</b>                     | <b>Focus:</b> Manual with lock |
|                                       | <b>Iris:</b> Manual with lock  |
| <b>Lens Mount:</b>                    | <b>C-Mount Type</b>            |
| <b>Filter Screw:</b>                  | 30.5mm, P = 0.5                |
| <b>Dimensions:</b>                    | φ32 x 37.5mm                   |
| <b>Weight:</b>                        | 65g                            |
| <b>TV Distortion:</b>                 | <b>On 1/2" CCD:</b> -0.96%     |