

PRECISION MACHINE VISION LENS

KV614TS

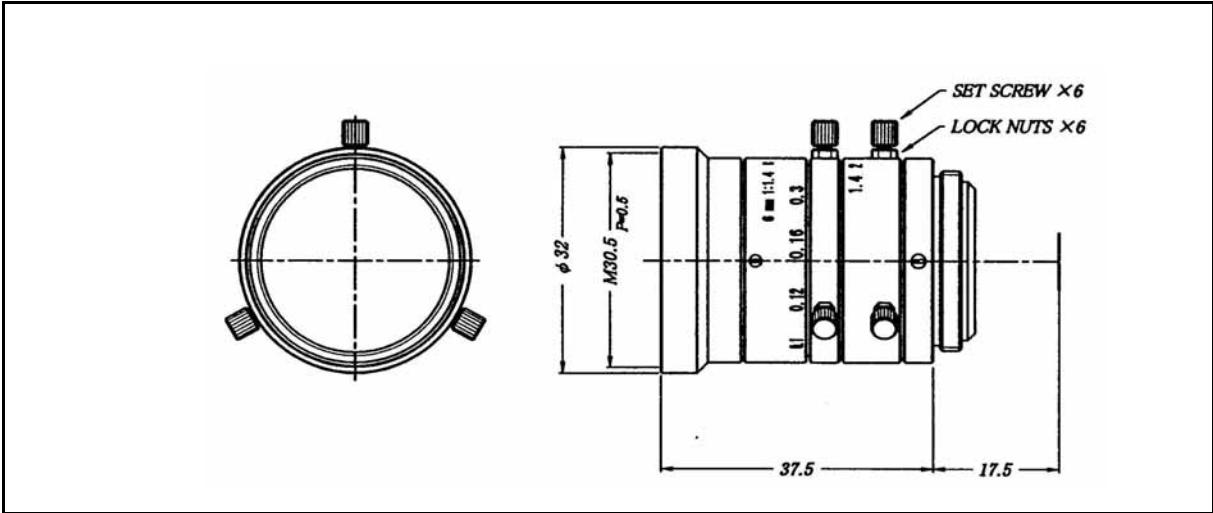


Image Format:	1/2-inch
Focal Length:	6mm
Relative Aperture:	F = 1 : 1.4
Iris Range:	1.4 - 16
Angular Field of View:	Horizontal: 57.40°
	Vertical: 44.30°
	Diagonal: 69.00°
Minimum Object Distance(MOD):	0.2m
View Area at Minimum Distance:	176 (H) x 130 (V)mm
Back Focus:	12.32mm
Flange Back:	17.5mm
Operation:	Focus: Manual with lock
	Iris: Manual with lock
Lens Mount:	C-Mount Type
Filter Screw:	30.5mm, P = 0.5
Dimensions:	φ32 x 37.5mm
Weight:	66g
TV Distortion:	On 1/2" CCD: -0.96%