

Precision Machine Vision Lens

LMV614H

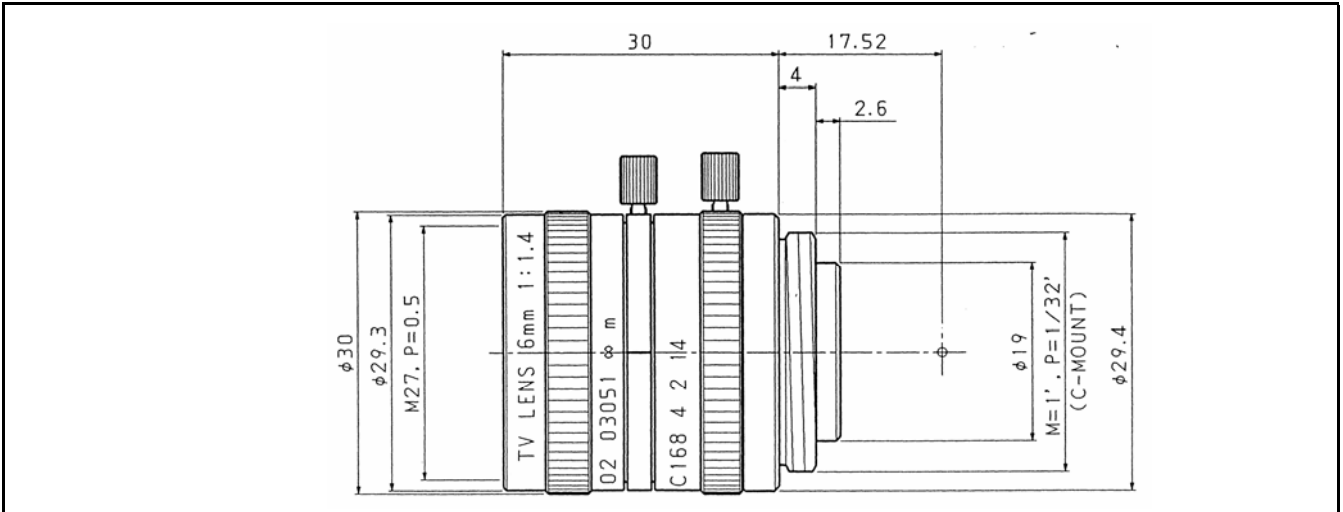


Image Format:	1/2-inch
Focal Length:	6mm
Relative Aperture:	F=1:1.4
Iris Range:	1.4 - Close
Angular Field of View:	Horizontal: 50°
	Vertical: 36°
	Diagonal: 69°
Minimum Object Distance(MOD):	0.2m (0.67ft)
View Area at Minimum Distance:	219(H) x 164(V)mm
Back Focus:	11.28mm in air
Flange Back:	17.526mm
Operation:	Focus: Manual with lock
	Iris: Manual with lock
Lens Mount:	C-Mount Type
Filter Screw:	27mm P=0.5
Dimensions:	$\phi 30 \times 30$ mm
Weight:	57g
Lens Construction:	7 Elements, 7 Groups
TV Distortion:	On 1/2" CCD: -1.60%
	On 1/3" CCD: -1.20%