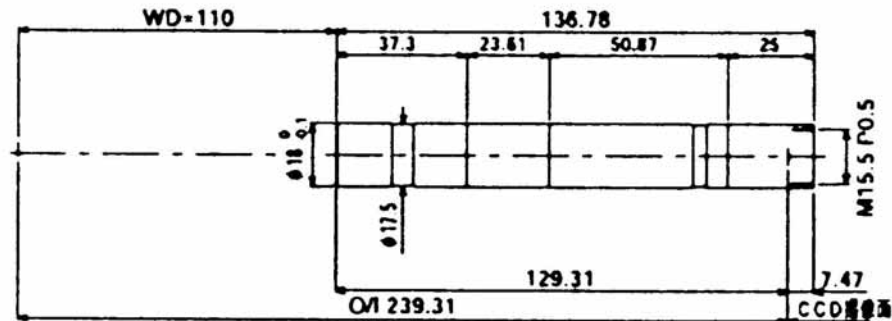


MACHINE VISION LENSES

Telesentric lenses for 1/2" 17mm lipstick lens

TYPE NO. : MVFM176M/110
WD : 110mm

Dimensions:



SPECIFICATIONS

Image Format	1/2-inch
Optical Magnification	X6.0
TV Monitor Magnification	X270
Working Distance	110mm
Depth of Field	0.19mm
Field of View on 1/2" CCD	1.06H x 0.8V
Resolution	7 μ m
TV Distortion	+0.16%
Provision for Light Guide	Not provided.
Weight	56g
Lens Mount TYpe	Special Mount