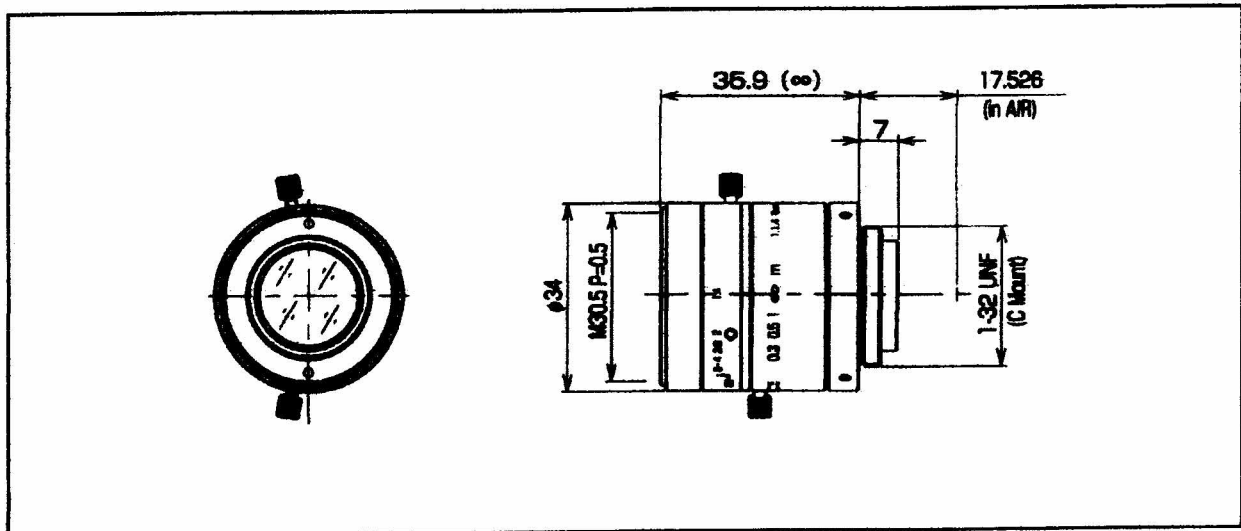


# PRECISION MACHINE VISION LENS

## LV1614DF



<b>Image Format:</b>	2/3-inch
<b>Focal Length:</b>	16mm
<b>Relative Aperture:</b>	F = 1: 1.4
<b>Iris Range:</b>	1.4 - 22
<b>Angular Field of View:</b>	<b>Horizontal:</b> 30.9° <b>Vertical:</b> 23.4°
<b>Distortion:</b>	<b>on 2/3" sensor :</b> -0.04% <b>on 1/2" sensor :</b>
<b>MOD (Minimum Object Distance):</b>	0.15m
<b>Exit Pupil:</b>	-145.7mm
<b>Back Focus:</b>	11.54mm in air
<b>Flange Back:</b>	17.526mm
<b>Operation:</b>	<b>Focus:</b> Manual with lock screw <b>Iris:</b> Manual with lock screw
<b>Lens Mount:</b>	C-Mount Type
<b>Filter Screw:</b>	M30.5mm, P = 0.5
<b>Dimensions:</b>	φ34 x 35.9(INF) - 38(NEAR)mm
<b>Weight:</b>	80g
<b>Operating Temperature:</b>	-10 ~ +45°C

Note : Angular field of view (H x V) is captured on the 2/3-inch image sensor at MOD.