

PRECISION MACHINE VISION LENS

LV2514DF

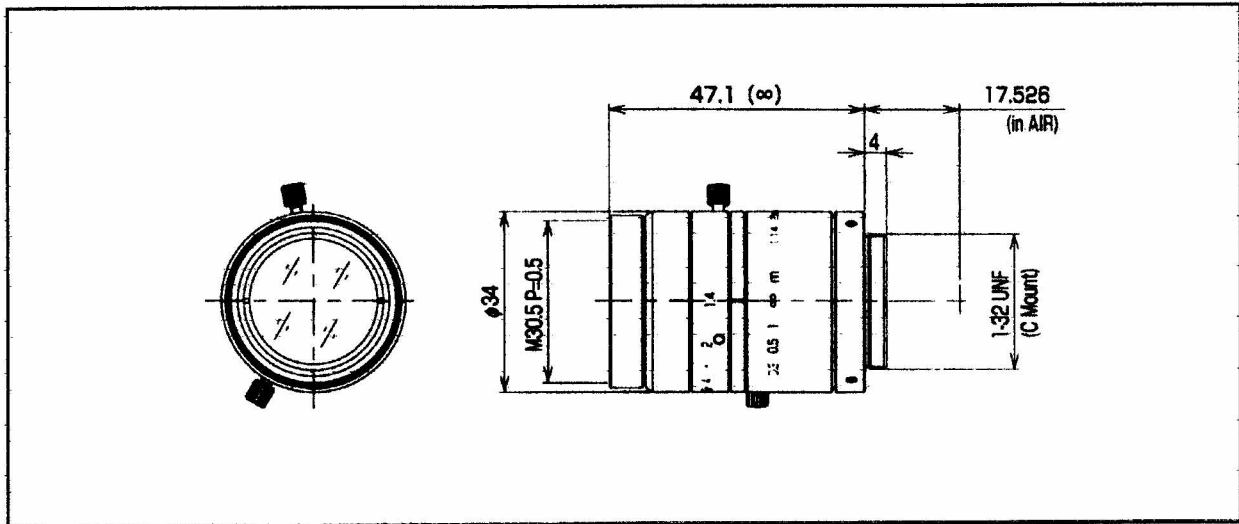


Image Format:	2/3-inch
Focal Length:	25mm
Relative Aperture:	F = 1: 1.4
Iris Range:	1.4 - 22
Angular Field of View:	Horizontal: 20.0° Vertical: 15.1°
Distortion:	on 2/3" sensor : 0.0% on 1/2" sensor :
MOD (Minimum Object Distance):	0.15m
Exit Pupil:	-729.6mm
Back Focus:	17.17mm in air
Flange Back:	17.526mm
Operation:	Focus: Manual with lock screw Iris: Manual with lock screw
Lens Mount:	C-Mount Type
Filter Screw:	M30.5, P = 0.5
Dimensions:	φ34 x 47.1(INF) - 52.2(NEAR)mm
Weight:	103g
Operating Temperature:	-10 ~ +45°C

Note : Angular field of view (H x V) is captured on the 2/3-inch image sensor at MOD.