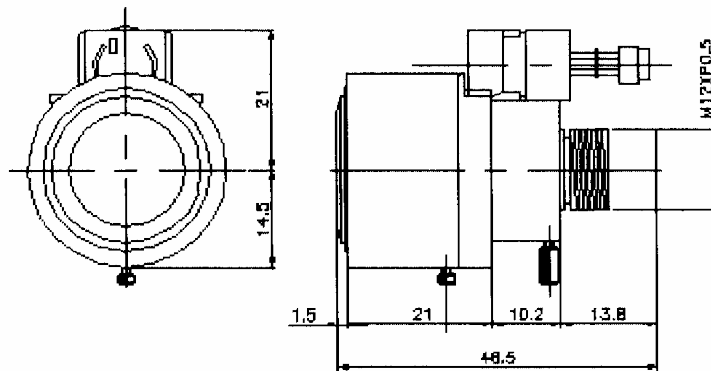


# CCTV LENS

ACU412IR

Vari Focal Lens, Auto. Iris by DC-drive  
NIR (850nm) performance



(Unit: mm)

<b>Image Format</b>	1/3-inch
<b>Focal Length</b>	4.0 - 12.0mm
<b>Max. Aperture</b>	F 1.6
<b>Iris Operation</b>	Auto Iris, DC-drive
<b>Iris Range</b>	F1.6 - 360
<b>View Angle</b>	<b>Horizontal:</b> Wide 70.0° Tele 23.5° <b>Vertical:</b> Wide 51.2° Tele 17.6° <b>Diagonal:</b> Wide 90.4° Tele 29.4°
<b>Lens Mount</b>	M12 P=0.5 or M13 P=1.0 or Ø14
<b>MOD(Minimum Object Distance)</b>	0.5m
<b>Back Focal Length</b>	6.25mm
<b>Filter Screw Size</b>	Not provided.
<b>Dimensions</b>	29 x 32.7mm (Front diameter x Length)
<b>Weight</b>	40g approx.
<b>Note</b>	Extended sharp focusing performance for the 850nm NIR wavelength.